



GWS
flexweb

Web width flexibility on your double wide press

- > *Save on paper*
- > *Print different newspaper formats*
- > *Press stability is fully maintained*
- > *No interruption of production during installation*
- > *Fully integrated into existing press structure*
- > *Return on investment in 8-14 months*

EL PAÍS uses two GWS flexweb units

Leading Spanish newspaper El País has installed two GWS flexweb units in their KBA Commander 80 press. The special applications were developed by GWS Printing Systems to allow printers, producing on double width presses, the possibility to produce various web widths.



Since the installation of these units, El País has been able to use webs of any width between 1.400 and 1.640 millimeters wide. This allows them to offer a wider range of products to the market, without large amounts of paper loss. They are now able to get more effective printing time out of their KBA Commander 80.



Instant flexibility in your web width

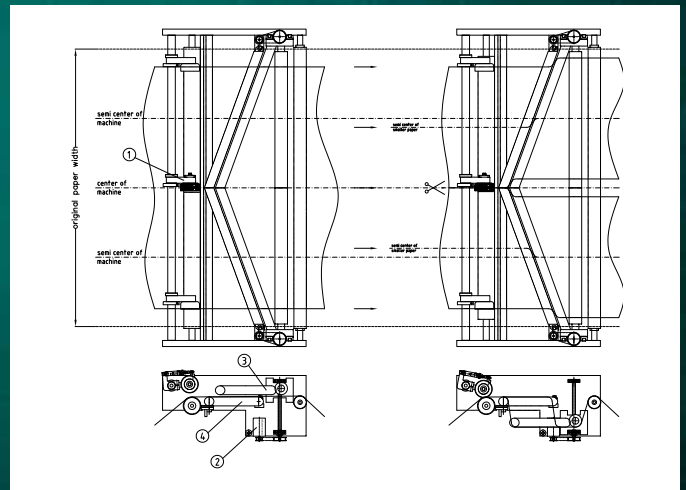
With the GWS flexweb it is possible to print variable web widths on a fixed width, double wide newspaper press. Now you can print different size newspapers without large investments, all thanks to a retro-fit module that can be installed into your existing press structure.

The flexweb was designed in close consultation with printers, resulting in a user friendly product that allows for short change-over times between productions.

The unit can be fully controlled from the machine room, either as a stand-alone unit or even fully integrated into the press controls. The flexweb has no influence on the register stability or running speed of the machine and even webbing up can be done as normal.

Your production will not be hampered by installation of a flexweb unit. No major modifications need to be done to your press and there is no down-time in your production.

With a relatively small investment you can easily widen your market potential and save on cost of paper at the same time.





GWS Printing Systems

About our company and what we do

GWS Printing Systems is a global supplier of premium used web fed and sheet fed offset presses, auxiliaries and related systems to the printing industry. Over the past 30+ years GWS has developed from a traditional trading company to a highly specialized provider of technical project solutions.

- Used web and sheet fed presses and equipment
 - Sales
 - Brokering
 - Auctions
- Technical Project management
 - Relocations & transport
 - Reconditioning
 - Installation & commissioning
 - Training and printing instruction
 - Temporary staffing
- Consultancy
 - Equipment valuations
 - Process assessments
 - Financial consultancy
- Engineering
 - Reconfigurations
 - Press improvements
 - Special applications
 - Research & development
- Service & Maintenance
- Parts and printing materials

GWS Printing Systems

Postal address
P.O. Box 1035
5140 CA Waalwijk
The Netherlands

Visiting address
Industrieweg 6
Industr. Estate "Waalwijk"
location 210
5145 PV Waalwijk
The Netherlands

Contact details
t. +31 88 497 77 77
f. +31 88 497 77 88

w. www.gws.nl
e. info@gws.nl

